



INSTALLING THE FLUSH MOUNT LOW VOLTAGE SINGLE GANG VANDAL PROOF ENCLOSURE.
FMLV-S1 AND FMLV-S1-LD

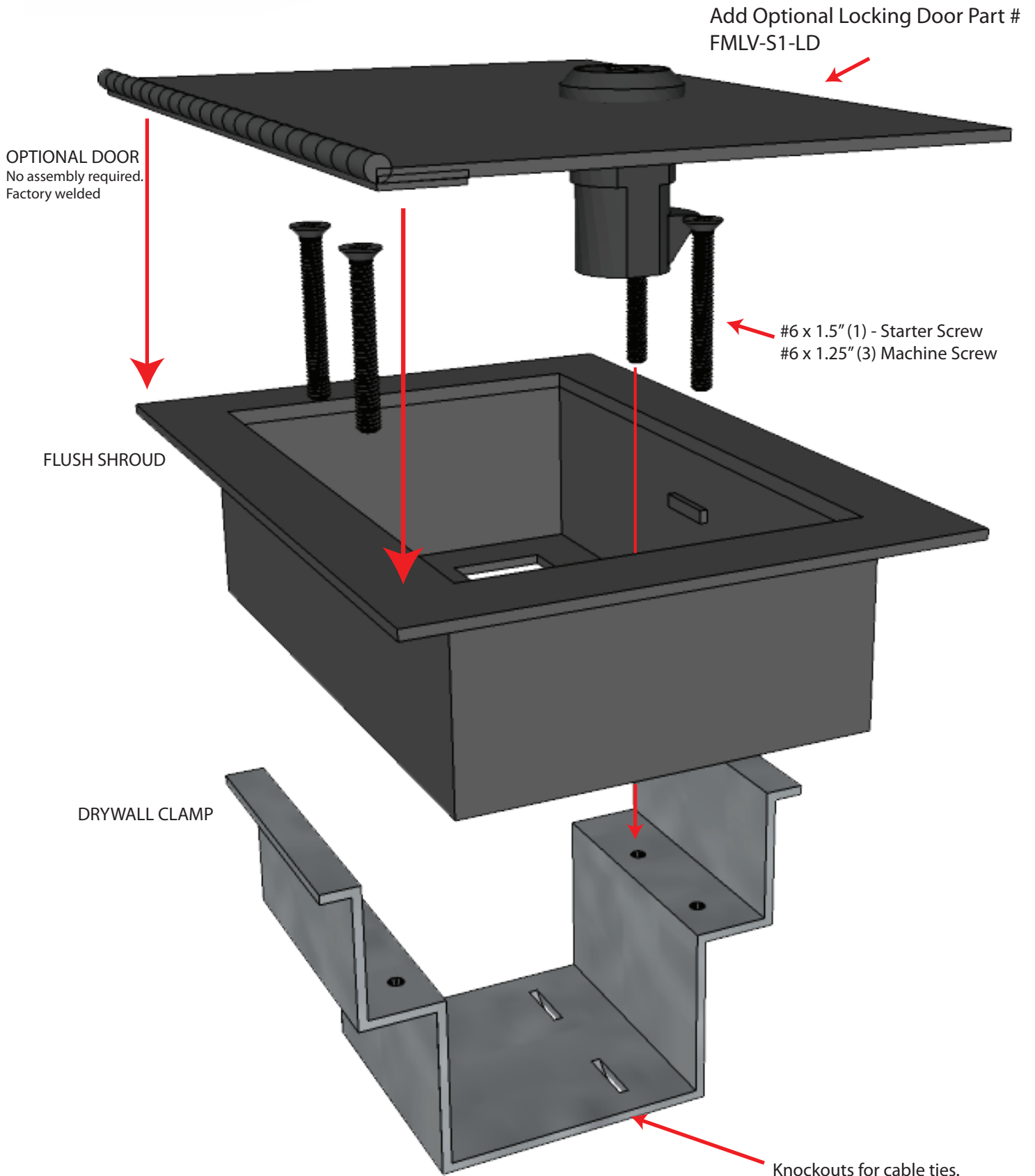


Figure 1 - Expanded View

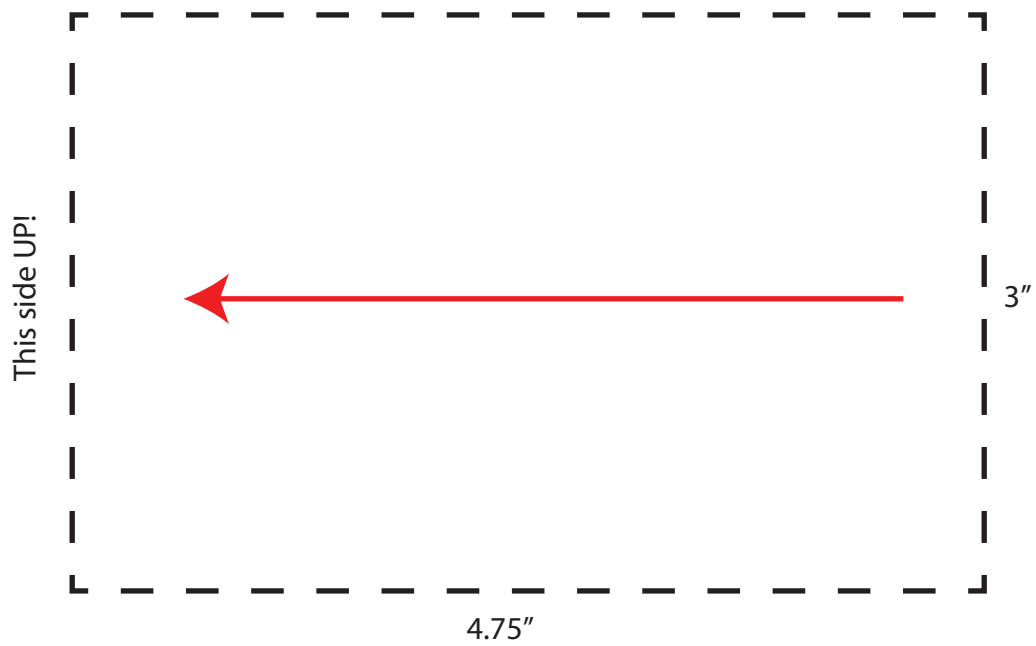


Figure 2
Drywall / concrete Cutout Template

Using the template in Figure 2, cutout a 3" x 4.75" rectangle into the drywall. Make sure to keep a minimum of .75 inches away (left and right) from any studs in order to fit the clamp. A standard minimum 4" depth is required to mount into drywall.

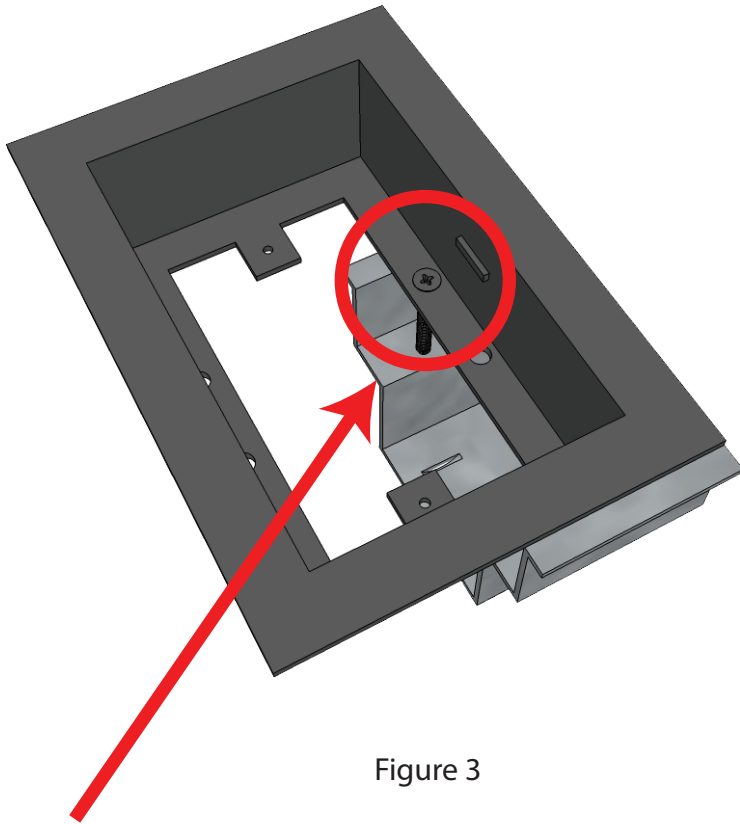


Figure 3

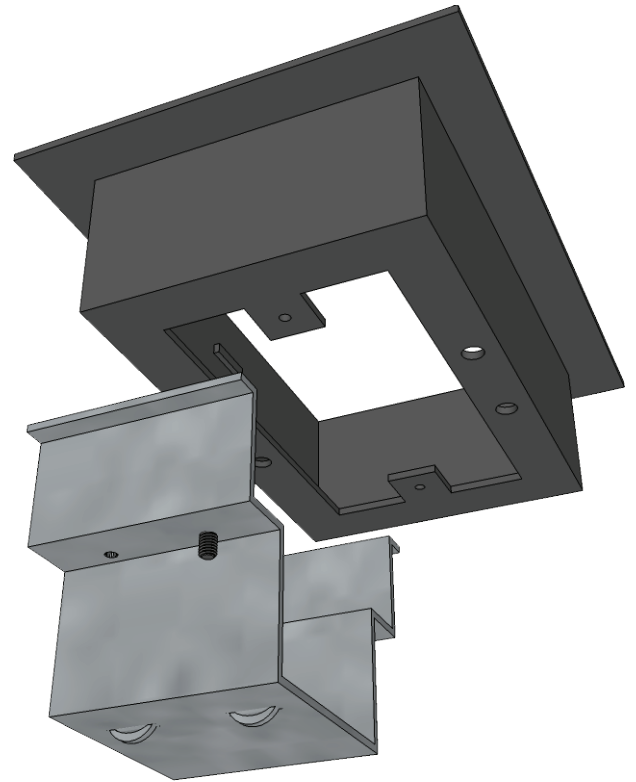
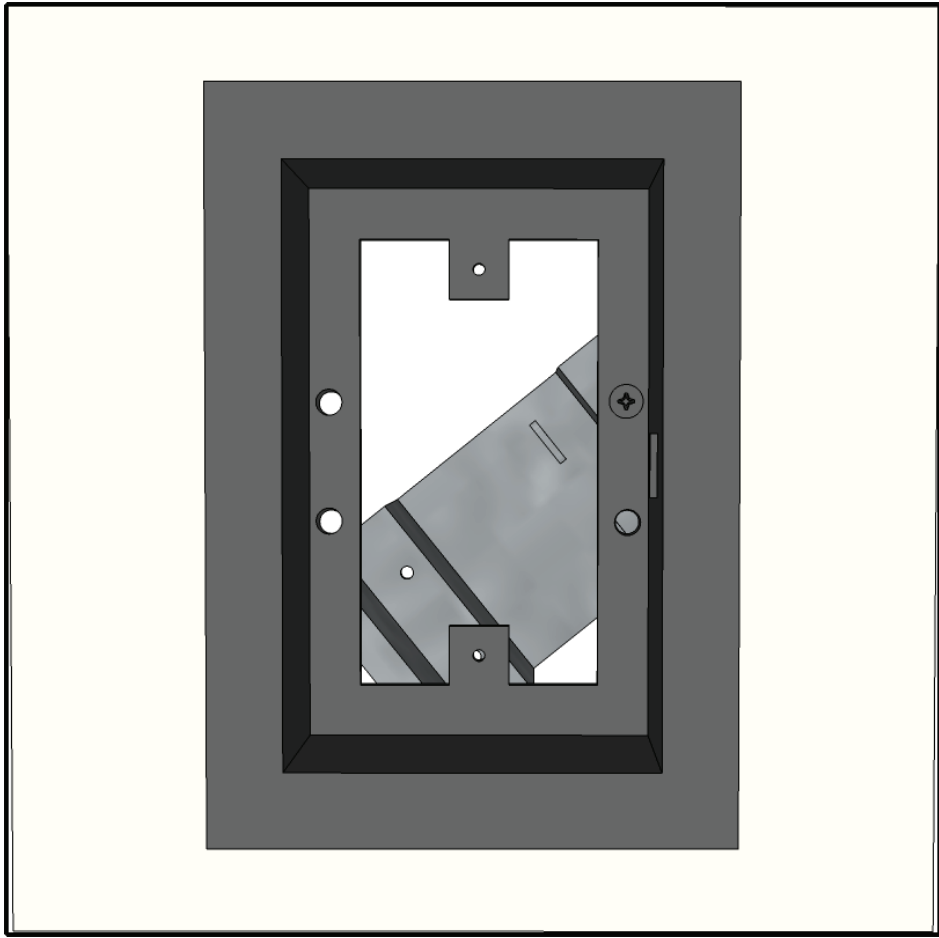
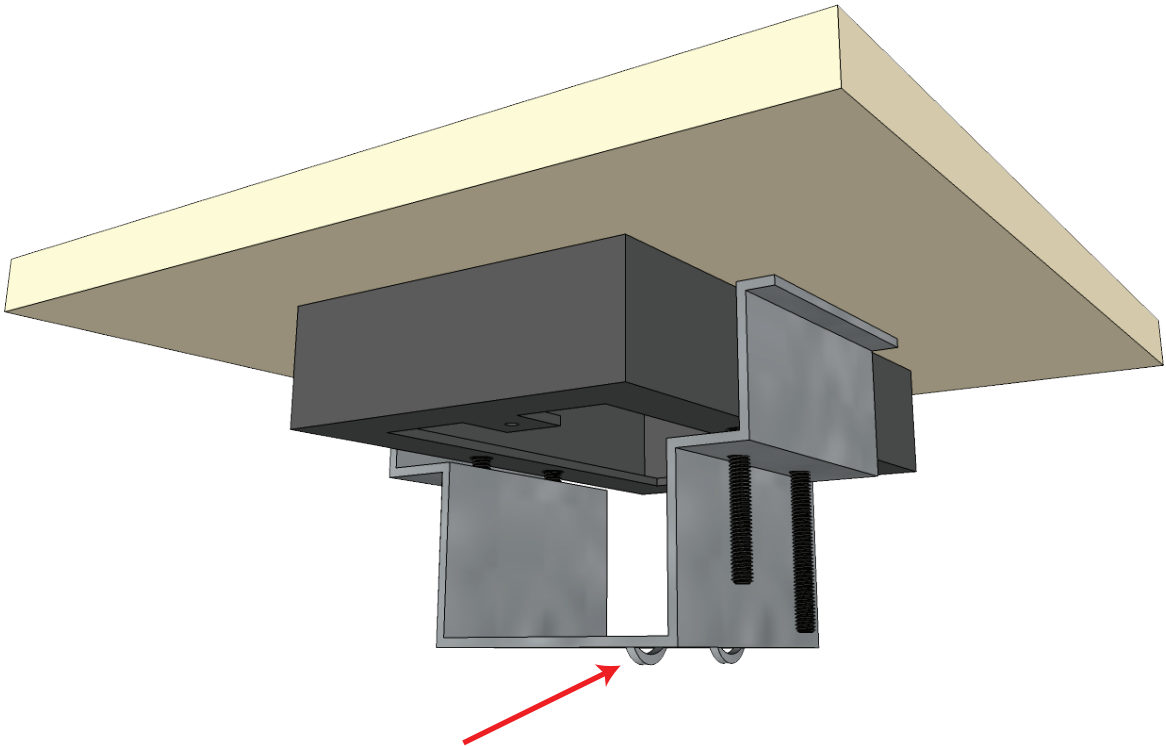


Figure 4

Secure the bracket to the shroud using the 1.5" #6 Machine Screw prior to inserting into drywall. Bracket should be able to rotate freely below the shroud. Figure 4



Insert Shroud and Bracket into Drywall. Rotate Bracket into place and pull tight into back of drywall. Secure with the 3 remaining #6 x1.25" Machine screws.



Use tie wraps on bridges to secure any cables