



Octasound[®]
S O U N D A B O V E A L L

DATA SHEET



SP520A MULTI-LOCATION SPEAKER SYSTEM

FULL FIDELITY - FOR BOTH VOICE AND MUSIC

Full range (45 Hz to 15 kHz) Multi-Location Speaker System.

Tuned port enclosure with a high-efficiency 12" woofer matched to two compression horns and drivers.
Small size and low weight for convenient installation and low shipping cost

BUILT TO LAST

High impact polyurethane finish
New impact resistant HDPE grille
Stainless Steel hardware, screws and bolt assemblies

HIGH SENSITIVITY - 104 dB/W/m

Extremely efficient – rated at 104 dB/W/m
Produces high SPLs with low amplifier power
Maximum SPL – 126 dB with 200 W RMS input.

HIGH POWER HANDLING - 200 W RMS / 400 W PEAK

Handles input power of 200 watts RMS
Built-in, self-resetting polyswitch protective circuit protects high frequency drivers
from excessive power and distorted inputs (>10% THD)

WIDE COVERAGE AREA – 180° X 120°

Covers 180° Horizontally by 120° Vertically
Wide dispersion characteristics enable a single SP520A to cover a large area.

COMPACT SIZE - 12 inches HIGH x 14-1/4 INCHES DEEP / 40 LBS

The Octasound SP520A is only 12 inches (40.6 cm) high and weighs just 40 lbs (18.4 kg).
Can be installed in low ceiling areas and close to lights without casting significant shadows.
Low weight permits suspension using readily available hardware such as closed link chains, wire rope etc.
Small size and low weight enables convenient installation and low shipping cost

TECHNICAL SPECIFICATIONS

Frequency Response: 45 Hz to 15 kHz \pm 10 dB (on axis); 50 Hz to 12 kHz \pm 6 dB (on axis)
Optimum Power: 50 to 120 W RMS total
Power Handling: 200 W RMS total, 400 W peak, (THD less than 10%)
Impedance: 8 ohms nominal
Dispersion: 180° Horizontal, 120° Vertical \pm 6 dB 100 Hz to 10 kHz
Sensitivity: 104 dB/W/m on axis, pink noise 100 Hz to 10 kHz averaged
Maximum SPL: 126 dB RMS / 129 dB Peak at 1 meter

For more detailed info contact:
KDM Electronics www.octasound.com info@octasound.com 1-800-567-6282
55 Mills Road, Ajax, ON L1S 2H2

by **KDM**

SP520A MULTI-LOCATION SPEAKER SYSTEM

PHYSICAL SPECIFICATIONS

Temperature Range: -20°C to 55°C (-4°F to 131°F)

Humidity Range: 0% to 100% Non-Condensing

Dimensions: 16" H x 33" W See Diagrams (Not to Scale, Tolerance $\pm 1/4"$)

Weight: 105 lbs (47.2 kg)

Material: Moisture Resistant MDF, Polyurethane Elastomer Finish

Mounting Hardware: Four 1 1/2" Eye Nuts, 3/4" I.D. Eye 1/4 x 20 Thread

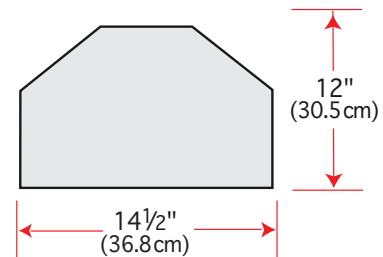
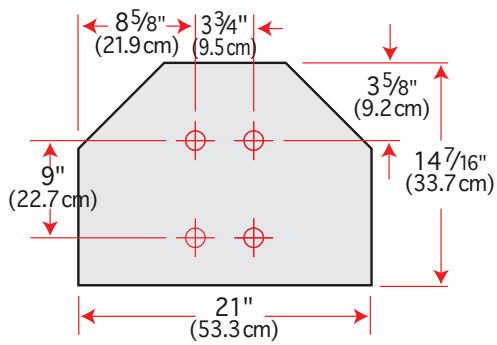
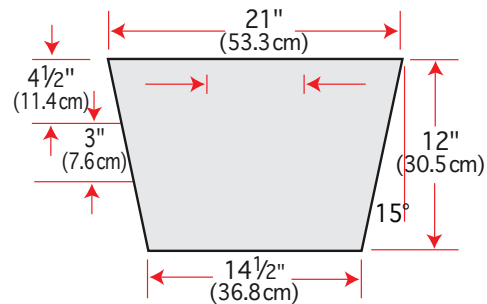
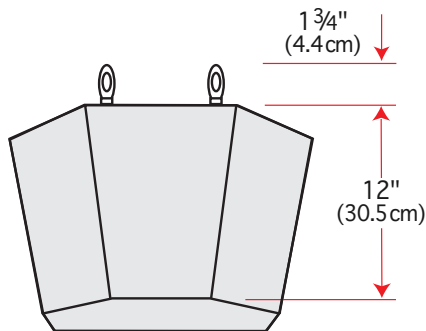
Shipping Weight: 145 lbs (65.8 kg)

Shipping Dimension: 32" (81.3cm) Square, by 24" (61cm) high

ARCHITECTS AND ENGINEERS SPECIFICATIONS

The loudspeaker shall be a two-way speaker system containing a 10" diameter, low frequency driver, with a 2" - 8 ohm voice coil and 34 ounce magnet. The speaker shall also enclose two high frequency 6" x 6" wide dispersion exponential compression horns & drivers with 1.3" voice coils, 1" throat diameter and a magnet weight of 12 ounces. The speaker sensitivity shall be 104 dB per watt per meter and contain a crossover point of 2 kHz $\pm 15%$ complete with thermal protection and with an impedance of 8 ohms. The speaker shall be manufactured from 3/4" wood composite and sealed with an industrial textured finish. Grill shall be plastic and impact resistant. All exposed metal hardware shall be stainless steel or zinc plated. Four 1/4 inch eye nuts shall be provided for mounting. The complete speaker shall weigh a maximum of 82 lbs., with the following maximum dimensions: top width 30 3/8", bottom width 21 3/4" and height 16" + 1 3/4" for mounting hardware.

DIMENSIONS



For more detailed info contact:

KDM Electronics www.octasound.com info@octasound.com 1-800-567-6282
55 Mills Road, Ajax, ON L1S 2H2

by **KDM**