



Octasound[®]
S O U N D A B O V E A L L

DATA SHEET



SP800A CENTRAL SPEAKER SYSTEM

FULL FIDELITY - FOR BOTH VOICE AND MUSIC

Full range (40 Hz to 20 kHz) designed for central location.
Tuned port enclosure with a high-efficiency 8" woofer matched to four compression horns and drivers.
Full fidelity reproduction in an extremely small central speaker system

BUILT TO LAST

High impact polyurethane finish
New impact resistant HDPE grille
Stainless Steel hardware, screws and bolt assemblies

HIGH SENSITIVITY - 100 dB/W/m

Extremely efficient – rated at 100 dB/W/m
Produces high SPLs with low amplifier power
Maximum SPL – 121 dB with 300W RMS input.

HIGH POWER HANDLING - 125 W RMS / 250 W PEAK

Handles input power of 125 watts RMS
Built-in, self-resetting polyswitch protective circuit protects high frequency drivers from excessive power and distorted inputs (>10% THD)

WIDE COVERAGE AREA – 360° X 180°

Covers 360° Horizontally by 180° Vertically
Wide dispersion characteristics enable a single SP800A to cover a large area.

COMPACT SIZE - 8 INCHES HIGH / 16 LBS

The Octasound SP800A is only 8 inches (20 cm) high and weighs just 16 LBS (7.3 kg).
Can be installed in low ceiling areas and close to lights without casting significant shadows.
Low weight permits suspension using readily available hardware such as closed link chains, wire rope etc.
Small size and low weight enables convenient installation and low shipping cost

TECHNICAL SPECIFICATIONS

Frequency Response: 40 Hz to 20 kHz ± 12 dB (on axis); 50 Hz to 15 kHz ± 6 dB (on axis)
Optimum Power: 10 to 100 W RMS total
Power Handling: 125 W RMS total, 250 W peak, (THD less than 10%)
Impedance: 8 ohms nominal
Dispersion: 360° Horizontal, 180° Vertical ± 6 dB 100 Hz to 10 kHz
Sensitivity: 100 dB/W/m on axis, pink noise 100 Hz to 10 kHz averaged
Maximum SPL: 121 dB RMS / 124 dB Peak at 1 meter.

For more detailed info contact:
KDM Electronics www.octasound.com info@octasound.com 1-800-567-6282
55 Mills Road, Ajax, ON L1S 2H2

by **KDM**

SP800A CENTRAL SPEAKER SYSTEM

PHYSICAL SPECIFICATIONS

Temperature Range: -10°C to 55°C (-14°F to 131°F)

Humidity Range: 0% to 80% Non-Condensing

Dimensions: 16" H x 33" W See Diagrams (Not to Scale, Tolerance $\pm 1/4$ ")

Weight: 16 LBS (7.3 kg)

Material: Moisture Resistant MDF, Polyurethane Elastomer Finish

Mounting Hardware: Four 1 1/2" Eye Nuts, 3/4" I.D. Eye 1/4 x 20 Thread

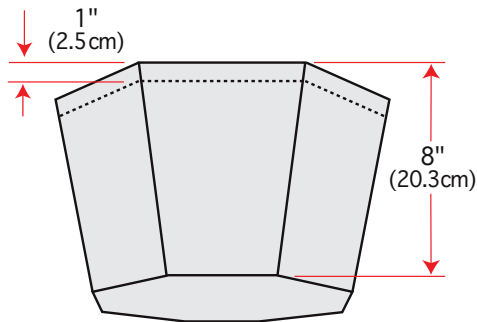
Shipping Weight: 19 lbs (8.6 kg)

Shipping Dimension: 16.5" (42 cm) Square, by 11" (30 cm) high

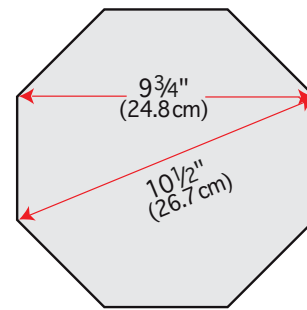
ARCHITECTS AND ENGINEERS SPECIFICATIONS

The loudspeaker shall be an octagonal shaped speaker containing one 8" bass/midrange driver with a 1 1/2" - 8 ohm voice coil and 28 ounce magnet. The speaker shall also enclose four high frequency 3 1/2" x 3 1/2" wide dispersion exponential compression horns & drivers with 1" voice coils, 1" throat diameter and a magnet weight of 12 ounces. The speaker sensitivity shall be 100 dB per watt per meter and contain a crossover point of 3.5 kHz $\pm 15\%$. The internal crossover shall have a built in polyswitch protective circuit to prevent damage from occurring at excessive power levels. The total speaker shall have an impedance of 8 ohms. The speaker shall be manufactured from 3/4" wood composite and sealed with an industrial textured finish. Grill shall be plastic and impact resistant. All exposed metal hardware shall be stainless steel or zinc plated. Four 1 1/4 inch eye nuts shall be provided for mounting. The complete speaker shall weigh a maximum of 16 lbs., with the following dimensions: top width 13 3/4", bottom width 10 1/2" and height 8" + 1 3/4" for mounting hardware.

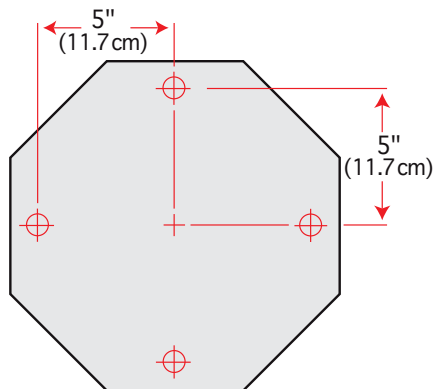
DIMENSIONS



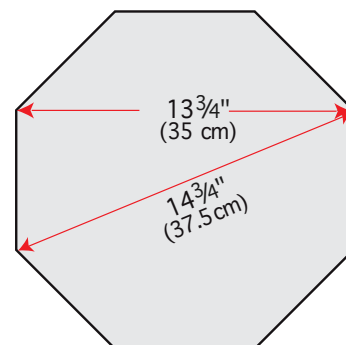
Side View



Bottom View



Mounting Hardware Dimensions



Top View

KDM Electronics Inc. reserves the right at any time to make changes in product design, components and specifications, as may be warranted by progressing technology.

For more detailed info contact:
KDM Electronics www.octasound.com info@octasound.com 1-800-567-6282
55 Mills Road, Ajax, ON L1S 2H2

by **KDM**