



Octasound[®]
S O U N D A B O V E A L L

DATA SHEET



SP860A CENTRAL SPEAKER SYSTEM

FULL FIDELITY - FOR BOTH VOICE AND MUSIC

Full range (20 Hz to 20 kHz) designed for central location.

Tuned port enclosure with a high-efficiency 18" woofer matched to four compression horns and drivers.

Full fidelity reproduction in a compact central speaker system

BUILT TO LAST

High impact polyurethane finish

New impact resistant HDPE grille

Stainless Steel hardware, screws and bolt assemblies

HIGH SENSITIVITY - 106 dB/W/m

Extremely efficient – rated at 106 dB/W/m

Produces high SPLs with low amplifier power

Maximum SPL – 130 dB with 300W RMS input.

HIGH POWER HANDLING - 350W RMS / 700 W PEAK

Handles input power of 350 watts RMS

Built-in, self-resetting polyswitch protective circuit protects high frequency drivers from excessive power and distorted inputs (>10% THD)

WIDE COVERAGE AREA – 360° X 180°

Covers 360° Horizontally by 180° Vertically

Wide dispersion characteristics enable a single SP860A to cover a large area.

COMPACT SIZE - 16 INCHES HIGH / 110 LBS

The Octasound SP810A is only 16 inches (30.5 cm) high and weighs just 44 LBS (20 kg).

Can be installed in low ceiling areas and close to lights without casting significant shadows.

Low weight permits suspension using readily available hardware such as closed link chains, wire rope etc.

Small size and low weight enables convenient installation and low shipping cost

TECHNICAL SPECIFICATIONS

Frequency Response: 20 Hz to 20 kHz \pm 10 dB (on axis); 35 Hz to 12 kHz \pm 6 dB (on axis)

Optimum Power: 100 to 300 W RMS total

Power Handling: 350W RMS total, 700 W peak, (THD less than 10%)

Impedance: 8 ohms nominal

Dispersion: 360° Horizontal, 180° Vertical \pm 6 dB 100 Hz to 10 kHz

Sensitivity: 106 dB/W/m on axis, pink noise 100 Hz to 10 kHz averaged

Maximum SPL: 130 dB RMS / 133 dB Peak at 1 meter.

For more detailed info contact:

KDM Electronics www.octasound.com info@octasound.com 1-800-567-6282
55 Mills Road, Ajax, ON L1S 2H2

by **KDM**

SP860A CENTRAL SPEAKER SYSTEM

PHYSICAL SPECIFICATIONS

Temperature Range: -20°C to 55°C (-4°F to 131°F)

Humidity Range: 0% to 100% Non-Condensing

Dimensions: 16" H x 33" W See Diagrams (Not to Scale, Tolerance $\pm 1/4"$)

Weight: 44 LBS (27.2 kg)

Material: Moisture Resistant MDF, Polyurethane Elastomer Finish

Mounting Hardware: Four 1 1/2" Eye Nuts, 3/4" I.D. Eye 1/4 x 20 Thread

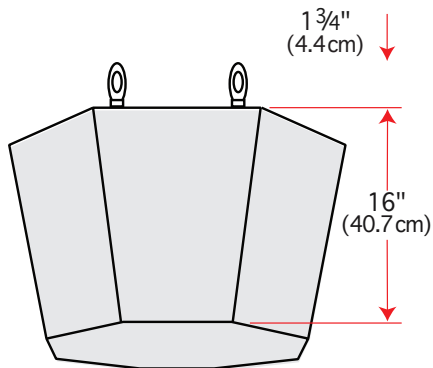
Shipping Weight: 68 lbs (30.8 kg)

Shipping Dimension: 23" (58.4 cm) Square, by 16" (40.6 cm) high

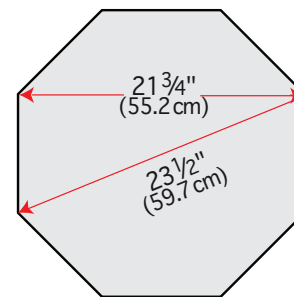
ARCHITECTS AND ENGINEERS SPECIFICATIONS

The loudspeaker shall be an octagonal shaped speaker containing one 18" low frequency driver with a 3" - 8 ohm voice coil and 120 ounce magnet. The speaker shall also enclose four high frequency 9 1/2" x 7 3/4" wide dispersion exponential compression horns & drivers with 2" voice coils, 1" throat diameter and a magnet weight of 34 ounces. The speaker sensitivity shall be 104 dB per watt per meter and contain a crossover point of 2 kHz $\pm 15%$ complete with thermal protection and with an impedance of 8 ohms. The speaker shall be manufactured from 3/4" wood composite and sealed with an industrial textured finish. Grill shall be plastic and impact resistant. All exposed metal hardware shall be stainless steel or zinc plated. Four 1 1/4 inch eye nuts shall be provided for mounting. The complete speaker shall weigh a maximum of 120 lbs., with the following dimensions: top width 33", bottom width 23 1/2" and height 16" + 1 3/4" for mounting hardware.

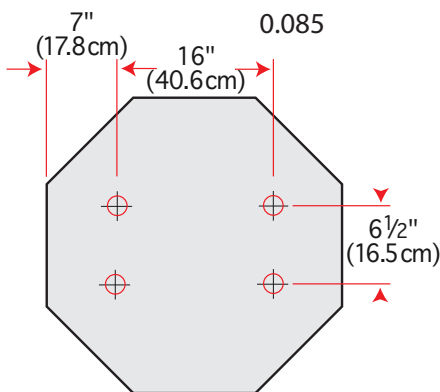
DIMENSIONS



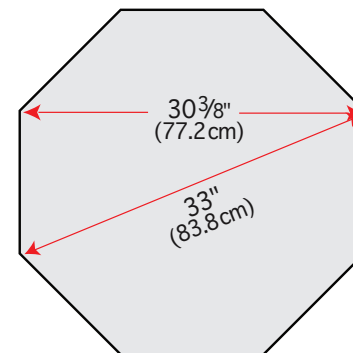
Side View



Bottom View



Mounting Hardware Dimensions



Top View

KDM Electronics Inc. reserves the right at any time to make changes in product design, components and specifications, as may be warranted by progressing technology.

For more detailed info contact:
KDM Electronics www.octasound.com info@octasound.com 1-800-567-6282
55 Mills Road, Ajax, ON L1S 2H2

by **KDM**